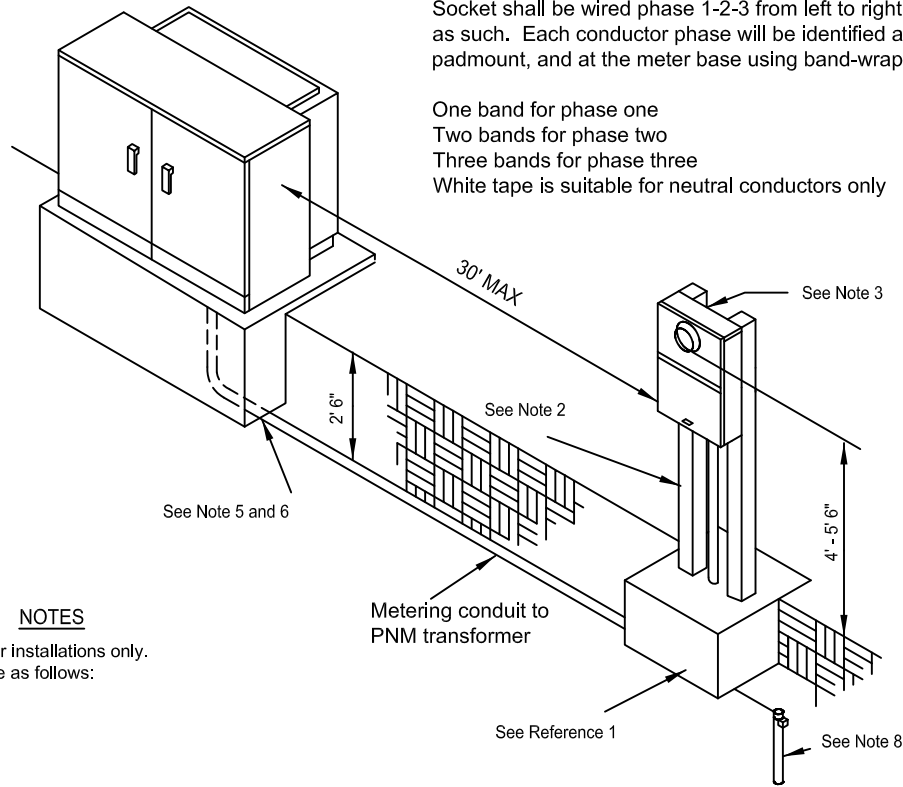


C

Important:

Socket shall be wired phase 1-2-3 from left to right and the conductors marked as such. Each conductor phase will be identified at the weather head or padmount, and at the meter base using band-wraps of electrical tape:

- One band for phase one
- Two bands for phase two
- Three bands for phase three
- White tape is suitable for neutral conductors only



NOTES

- (1) For use on dedicated transformer installations only.
- (2) Acceptable support members are as follows:  
3" x 3" 1/2" angle  
3" x 4.1 lbs/ft channel  
2" x 2" 3/16" box steel  
2 1/2" standard pipe  
P1001 unistrut
- (3) Equipment shall be securely attached to support members either bolted directly or mounted to metal channel or unistrut cross members.
- (4) Contact PNM new customer service representative to assure proper location.
- (5) The conduit must be 1" rigid galvanized.
- (6) Conduit must be buried a minimum 24" and stubbed into transformer secondary compartment. Arrangement with PNM is necessary to open transformer.
- (7) Caution: 2' 6" depth should not be exceeded because of power and telephone cables below.
- (8) Minimum #6 cu ground wire. Connector and rod per NEC article 250. A separate copper grounding electrode conductor sized in accordance with NEC table 250-94 must be provided for connection to PNM's transformer.
- (9) 480V being installed in the Southern Divisions, PT's will be required. See Approved Equipment for approved enclosure. ONLY Options A or C will be used.
- (10) 1-2-3 to be identified in RED, Neutral in WHITE. For Delta services the third (wild) leg in ORANGE.  
Leave wire rolled up in CT can and ensure the wire is long enough to reach Main Disconnect Panel (MDP)

REFERENCES

- (1) See MS-2-7.0 Three-Phase Thirteen-Terminal Socket for CT Meter
- (2) See MS-5-3.0 Single-Phase or Three-Phase Pedestal Meter

**NO  
TEMPORARY  
SERVICE**

Approved Equipment		
Manufacturer	Item	Mfg Part #
B-Line Milbank Pentair/Hoffman	Enclosure Enclosure/Panel Enclosure	303011RTCT 363612-CT3R/A-36P36 A303012CTCJ