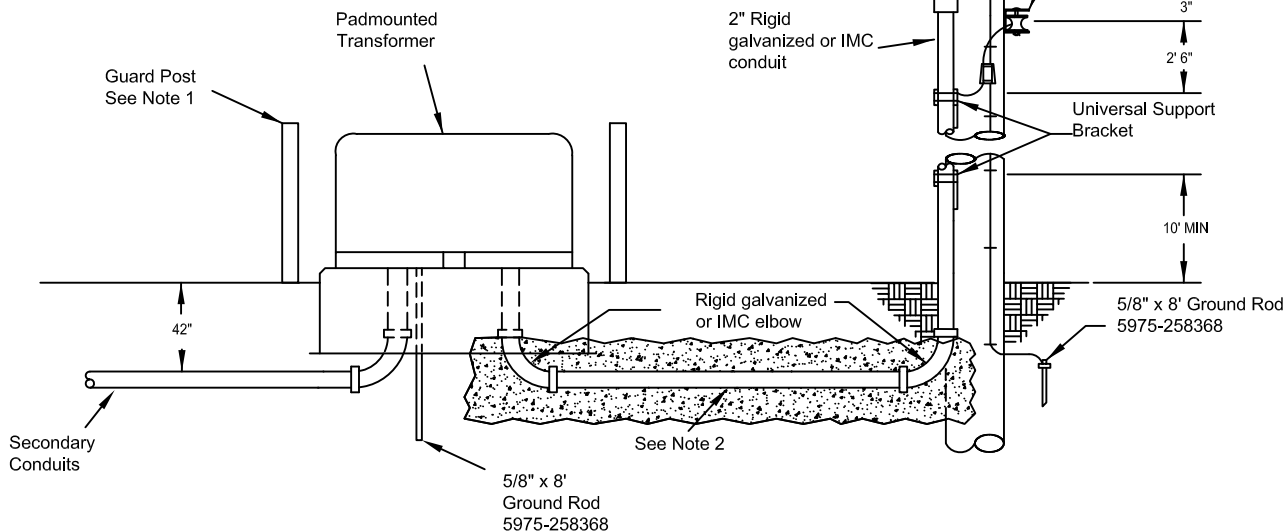
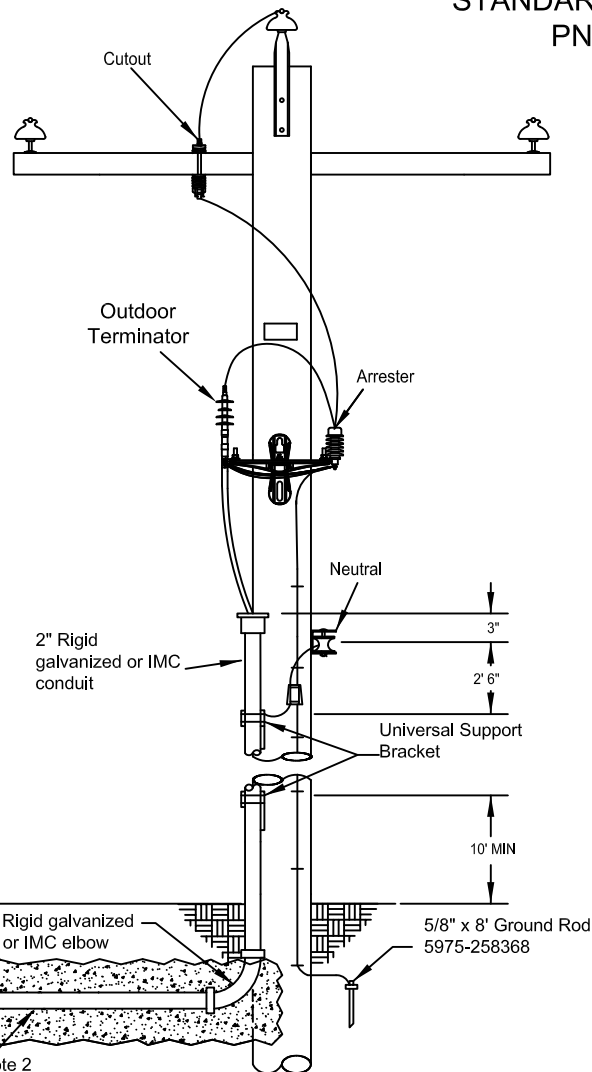


Secondary Voltage 240/120					
Maximum Number of Secondary Conductors Per Phase					
Maximum Conductor Size Secondary Connector Kit	Transformer kVA size				
	25	50	75	100	167
500 kCMIL 5935-238351	6	6	6	6	6



NOTES

- (1) Transformer shall be protected by guard posts if placed in traffic area.
- (2) Primary ducts shall be direct buried rigid galvanized or IMC conduit or concrete encased PVC conduit. Customer may use schedule 40 rigid PVC minimum duct without concrete encasement provided a minimum 10' rigid galvanized or IMC duct is installed for primary at the horizontal when entering or exiting the vertical elbow at the padmounted equipment. The primary and secondary conduit will be furnished and installed by the customer.
- (3) Red warning tape shall be placed 12" above any PVC duct that is not concrete encased.
- (4) Preferred riser location to be within 45° from the system neutral.
- (5) For allowable number of secondary conductors see table above.
- (6) Customer shall include a polyester pullstring with a minimum breaking strength of 210 lbs in completed duct for future use by PNM.

REFERENCES

- (1) See DM-4-11.0 Maximum Available Fault Currents
- (2) See Section 7 for Concrete Pad Detail
- (3) See DS-7-16.10 Guard Post
- (4) See DS-7-16.12 Minimum Working Space and Fire Safety Requirements for Transformers
- (5) See DS-10-6.3 200A Single-Phase Deadend Riser
- (6) See DS-10-6.5 200A Single-Phase Riser
- (7) See DS-18-20.0 Ground Assembly
- (8) See DS-18-22.0 Universal Support Brackets