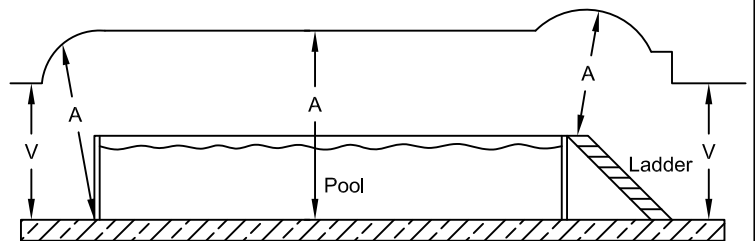
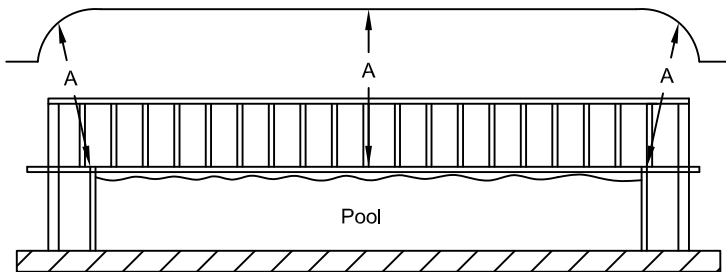
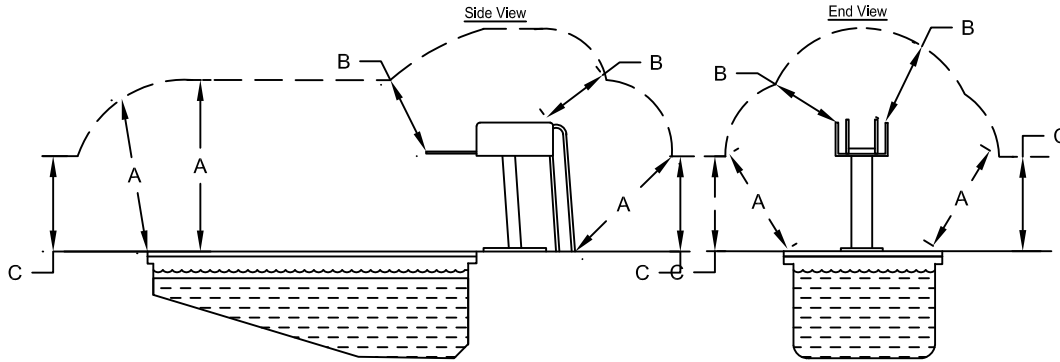


Caution: Division Engineer and Division Manager must approve any line passing over a pool.



Aboveground swimming pool with deck. Clearance is maintained from the highest point of the installation upon which people can stand.

Aboveground swimming pool without a deck. Required clearance is maintained above ground.

Figure 234 3 (b) - Aboveground swimming pool with deck

Figure 234 3 (c) - Aboveground swimming pool without deck

Basic Clearances of Wires, Conductors and Cables Passing Over or Near Swimming Areas				
	Messengers, Grounded Guys and Neutral Conductors (ft)	Unguarded Rigid Live Parts (0-750V) and Multiplexed Service Cable (ft)	Open Wire Secondary (ft)	Phase Conductors on PNM 4.16 kV, 12.47 kV or 13.8 kV Grounded Wye Distribution System (ft)
A Clearance in any direction from the water level, edge of pool, base of diving platform or anchored raft.	22.0 See Note 1	22.5 See Note 1	23.0	25.0
B Clearance in any direction to the diving platform or tower.	14.0 See Note 1	14.5 See Note 1	15.0	17.0
C Vertical clearance over adjacent land.	See DS-13-2.5 Pages 1 - 3			

NOTES

- (1) This clearance requirement applies only when the messenger guy, neutral, live part or multiplex service cable is less than 10' horizontally from the edge of the pool, diving platform or diving tower.
- (2) NESC Rule 234.
- (3) For NESC clearance purposes, spas (including whirlpools, hot-tubs, jacuzzis, or other similar installations not suitable for swimming) are not considered as swimming pools.
- (4) Permanently installed aboveground pools are ones that are not intended to be moved or routinely disassembled.

REFERENCES

- (1) See DS-13-2.0 Page 1-3 Clearances from Buildings and Other Structures
- (2) See DM-13-2.6 Page 1-2 Application of Clearance Requirements
- (3) See DS-13-2.5 Page 1-3 Vertical Clearance Above Ground, Roadway, Rail, or Water Surfaces
- (4) See DS-13-7.0 Swimming Pool Clearances Underground

Swimming Pool Clearance - Overhead

DS-13-6.0